



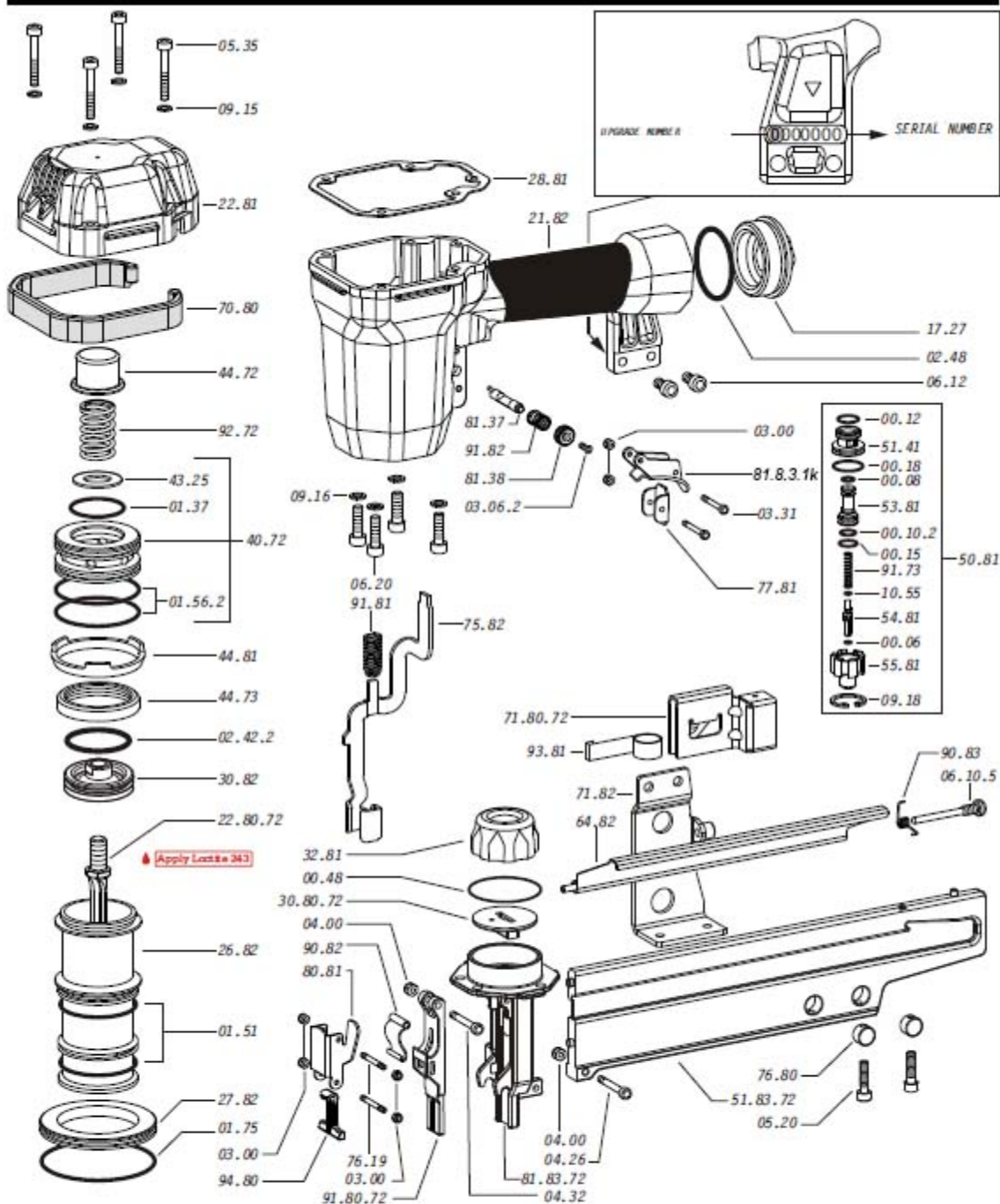
M2.65-ST

USE, MAINTENANCE & SPARE PARTS MANUAL

TECHNICAL DATA		
Usable Lengths mm	20 ÷ 65	Type of Fastener M2
Magazine capacity	145	
Working pressure	5 ÷ 7.5 bar 70 ÷ 105 psi	
Air consumption litres/shot	1.40	
Weight kg	2.10	
Dimensions mm	355 x 98 x 282	
Sound pressure at the Workstation	86.7 dB(A)	
Sound power emitted	97.9 dB(A)	
Vibratory emissions on handle	4.65 m/s ²	

Feb 2022

SPARE PARTS



EQUIPMENT

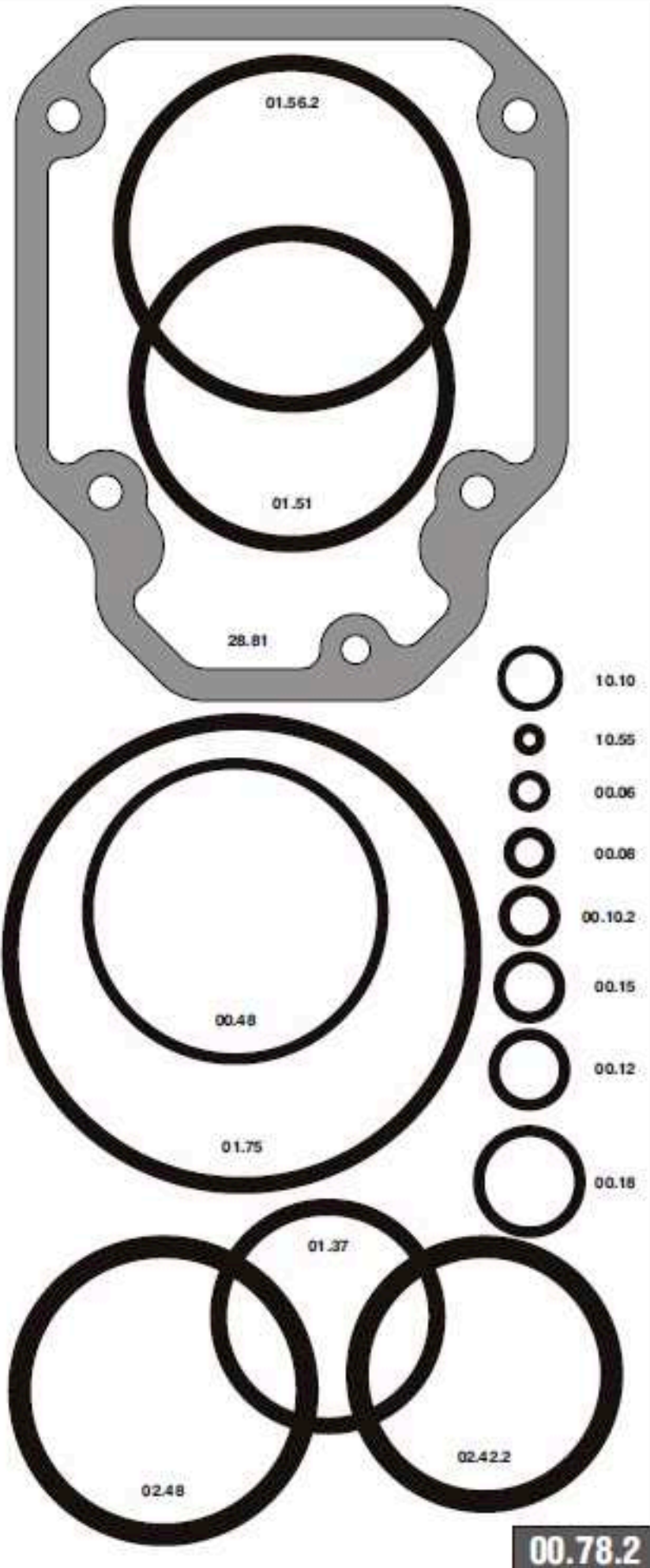


M2.65-ST

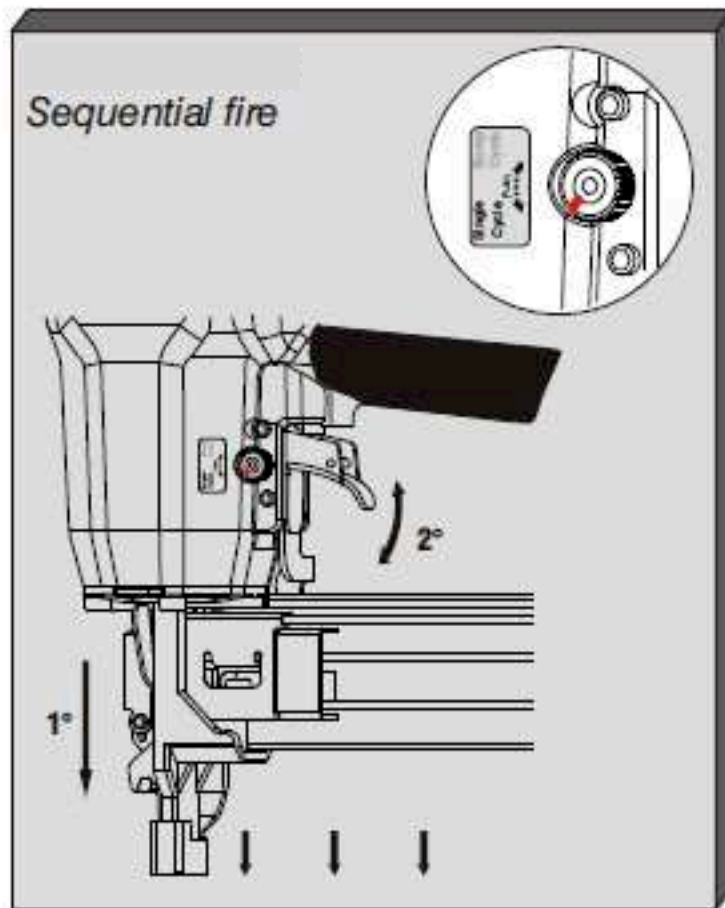
SPARE PARTS

Cod.	Description
00.06	O-Ring
00.08	O-Ring
00.10.2	O-Ring
00.12	O-Ring
00.15	O-Ring
00.18	O-Ring
00.48	O-Ring
01.37	O-Ring
01.51	O-Ring
01.56.2	O-Ring
01.75	O-Ring
02.42.2	O-Ring
02.48	O-Ring
03.00	Nut
03.06.2	Screw
03.31	Screw
04.00	Nut
04.26	Screw
04.32	Screw
05.20	Screw
05.35	Screw
06.10.5	Screw
06.12	Screw
06.20	Screw
07.20	Hex. bar wrench
07.30	Hex. bar wrench
07.40	Hex. bar wrench
07.50	Hex. bar wrench
09.15	Washer
09.16	Washer
09.18	Elastic ring
10.55	O-Ring
17.27	Inlet cap
21.82	Body
22.81	Head
26.82	Cylinder
27.82	Cylinder ring
28.81	Head gasket
30.82	Piston
32.81	Bumper
40.72	Valve ass'y
43.25	Washer
44.72	Bumper
44.73	Cylinder gasket
44.81	Spacer
50.81	Trigger valve ass'y
51.41	Trigger valve housing
53.81	Valve piston
54.81	Trigger valve
55.81	Bush
64.82	Hold down
70.80	Guard
71.82	Support
75.82	Safety
76.19	Pin
76.80	Nut screw
77.81	Safety guide
80.81	Nose plate lock
81.37	Selecting pin
81.38	Knob
81.83.1K	ST Trigger Kit
90.82	Spring
90.83	Spring
91.73	Spring
91.81	Spring
91.82	Spring
92.72	Spring
93.81	Spring
94.80	Connecting rod
22.80.72	Driver
30.80.72	Driver Guide
51.83.72	Magazine
71.80.72	Pusher
81.83.72	Nose
91.80.72	Nose plate
D01	Oiler
D02	Protective goggles

O-RINGS

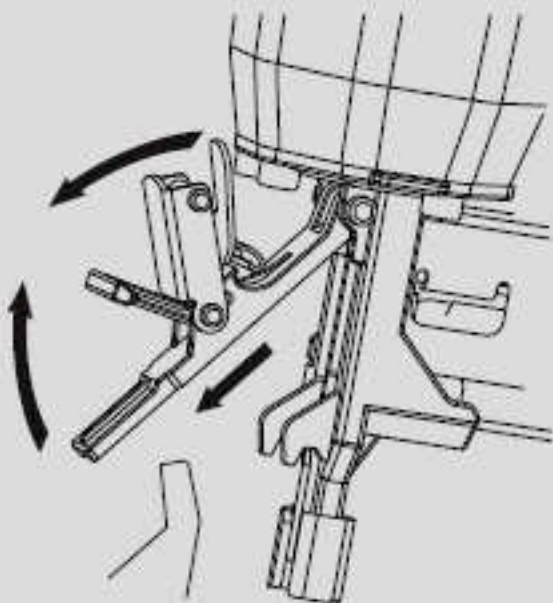


FIRE MODE SELECTION



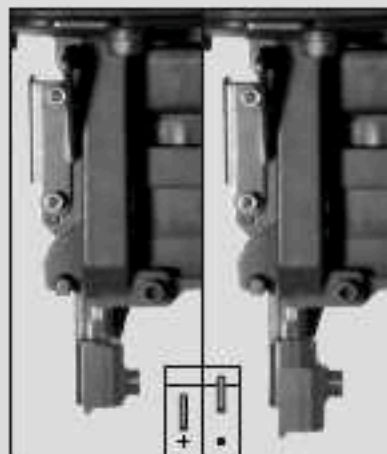
Features

Quick clearance jammed nails



Optional

Depth adjustment



Cod. 75.82.2

